

BAKER PUMP JACKS

3 - 5 - 12

DEAN BENNETT SUPPLY CO.

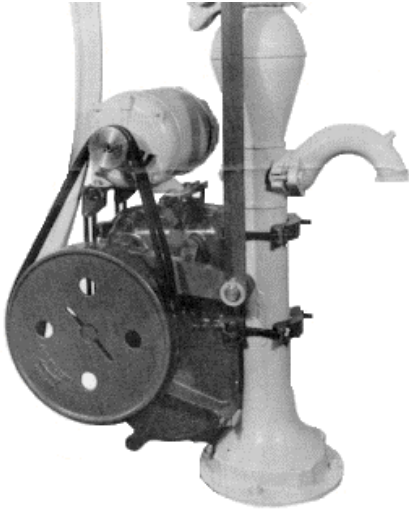
Toll Free : 800-621-4291

PRICES ARE YOUR NET COSTS

Page 58

The Baker / Monitor Pump Jacks are low cost, high quality units used to reciprocate a pump cylinder. They consist of a helical gear speed reducer driving two pumping arms (cranks) which are connected to the sucker rod by two long pumping angles and a cross head. These jacks are V-belt driven by either an electric motor or a gasoline engine mounted directly on the jack. Compared to worm gear pump jacks, Baker's jacks deliver 50% more power to the sucker rod. All these models are shippable via U.P.S.

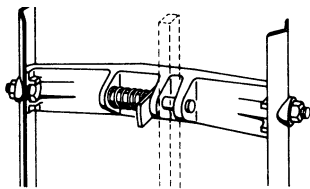
BAKER "ZA" HEAVY DUTY PUMP JACKS



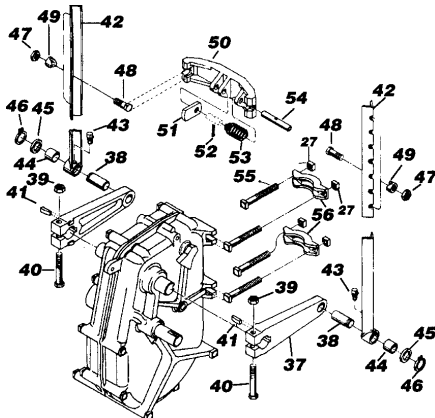
Cyl. Dia.	Capacity @		Recommended Max. Lift in Feet					
	100% Efficiency	80% Efficiency	(System Efficiency 80%)					
	Gals / Hr		1/3 hp	1/2 hp	3/4 hp	1 hp	1-1/2 hp	2 hp
1-11/16	146	117	79	118	177	237	355	473
1-3/4	157	126	75	113	169	226	339	451
1-7/8	181	144	68	103	154	205	308	410
2	206	165	62	94	140	187	281	374
2-1/4	260	208	52	78	117	157	235	313
2-1/2	321	257	44	66	99	133	199	265
2-3/4	389	311	38	57	85	114	170	227
3	463	370	33	49	73	98	147	196

The Baker "ZA" pump jack is a heavier duty model designed for deeper wells, heavier loads, & up to a 2 hp motor. The pump jack can be mounted on a hand pump or directly on the well pipe itself. A spring-held pump rod pin in the crosshead can be quickly attached or withdrawn. The motor mount is easily adjusted for the base of your electric motor or gas engine and your v-belt length. You can operate the ZA pump jack during a power failure by rotating the jack's pulley with auxiliary power. SPECIFICATIONS: Maximum pump rod load is 1,500 lbs ZA jack is geared 9 to 1 Stroke is 6" Maximum of 42 strokes per minute Weight is 131 lbs

THE LIGHT DUTY JE JACK IS NO LONGER MADE - - PARTS ARE STILL AVAILABLE



ZA JACK PARTS BLOW UP



- \$ 3015.00 #18-ZA** Baker ZA pump jack for use with up to a 2 hp electric motor. Includes #99-ZA jack head, #90-ZA pair of 48" long pumping angles, and #104-ZA components package with flat pulley for jack. No electric motor is included in price
- 99ZA
- 90ZA
- 104ZA
- \$ 3160.00 #20-ZA** Baker ZA pump jack for use with a gasoline engine. Includes #99-ZA jack head, #90-ZA pair of 48" long pumping angles, and #170-ZA components package with flat pulley for jack. No gasoline engine is included in price
- 99ZA
- 90ZA
- 170ZA
- \$ 2425.00 #99-ZA** Replacement 99-ZA Jack Head Only
- 99ZA
- \$ 194.00 #90-ZA** Replacement pair of 48" long pumping angles
- 90ZA

BAKER ZA PUMP JACK PARTS

# 37	ZA 24	\$195.50	ZA24	# 50	ZA 28	\$ 93.75	ZA28
# 38	ZA 22	\$ 33.75	ZA22	# 51	ZA 21	\$ 7.25	ZA21
# 41	ZA 63	\$ 12.50	ZA63	# 52	ZA 80	\$ 2.50	ZA80
# 44	ZA 6	\$ 11.25	ZA6	# 53	ZA 20	\$ 35.75	ZA20
# 45	E 80	\$ 3.00	E80	# 54	ZA 19	\$ 23.75	ZA19
# 46	ZA 70	\$ 3.25	ZA70	# 56	ZA 1	\$ 34.50	ZA1
# 49	ZA 26	\$ 5.75	ZA26				